

# Digital Radiography and Fluoroscopy Equipment (MULTI-FUNCTIONS DRF)

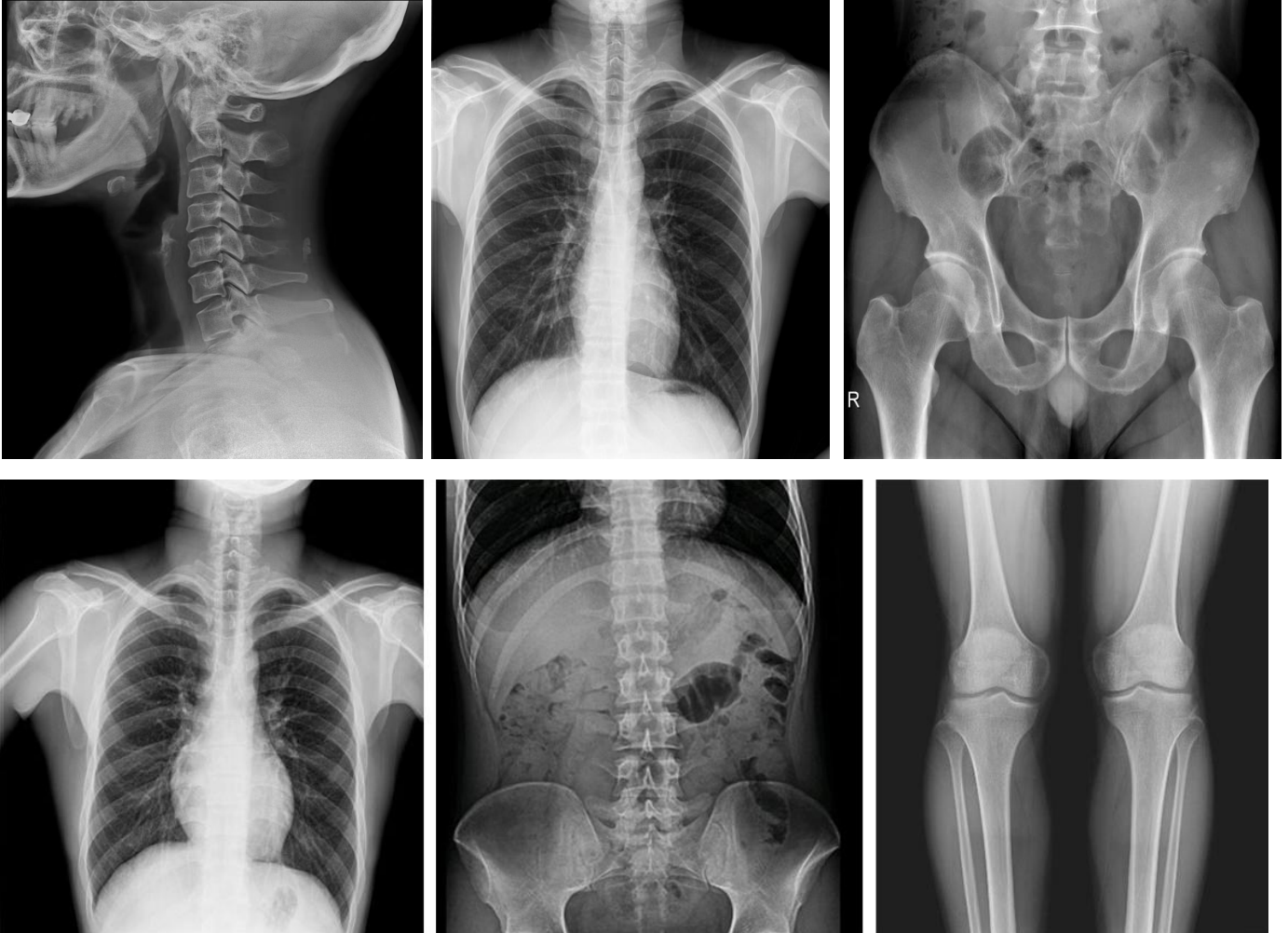
## PLD6000



<b>Configuration</b>		
1	Generator	1 set
2	X-ray Tube	1 set
3	Collimator	1 set
4	Tilting Table	1 set
5	Digital Dynamic Detector	1 set
6	High Density Grid	2 sets
7	Workstation(including table)	1 set
8	<i>Rotating foot pedal</i>	<i>Optional</i>
9	<i>Mobile console trolley</i>	<i>Optional</i>
10	<i>AEC</i>	<i>Optional</i>
11	<i>DAP</i>	<i>Optional</i>
12	<i>Auto Stitching</i>	<i>Optional</i>

## Application:

Meet the **radiography** diagnose for all of human body's parts, such as head, limbs, chest, spine, lumbar vertebrae, abdomen, etc.

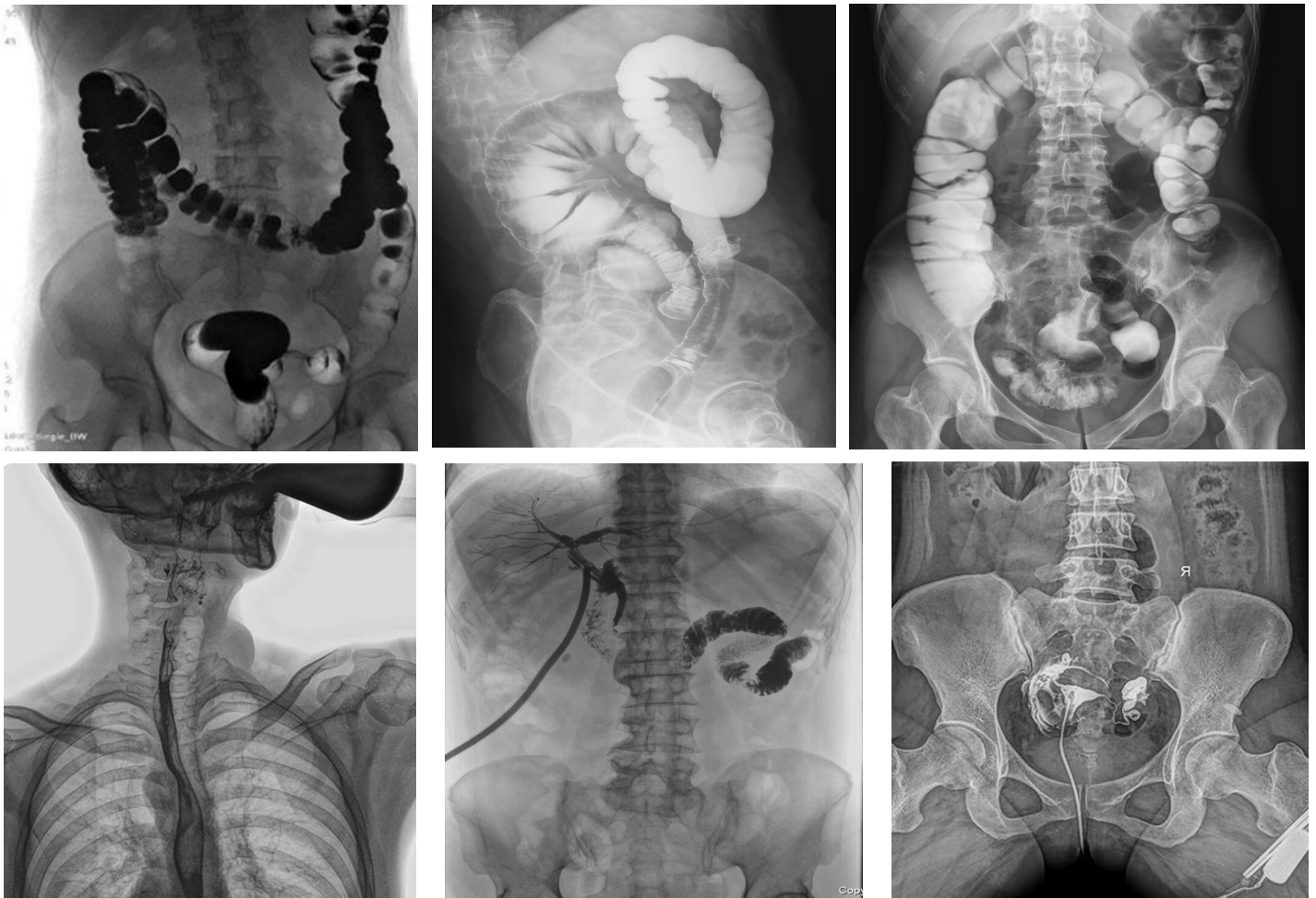


## Application:

**Digital fluoroscopy:** applicable to all parts of the body fluoroscopy (such as chest fluoroscopy, abdominal fluoroscopy, etc.), The dynamic acquisition speed can be up to 30 frames/s. Used in digestive, urology, gynecology and so on.

**Digital Gastrointestinal:** suit for gastrointestinal angiography, such as esophageal angiography, upper digestive tract angiography, whole digestive tract angiography, etc.

**Digital Angiography:** suit for a variety of angiography, such as oral cholecystography, intravenous cholangiography, T-tube angiography, retrograde cholangiopancreatography (ERCP), intravenous pyelography (IVP), hysterosalpingography(HSG), myelography. etc.



## Features:

### High frequency dynamic generator



Self-developed high frequency dynamic generator, **provide both radiography and fluoroscopy working mode;**

Highly precise adjustment of exposure parameters (kV, mA and s) for stable and homogeneous radiation emission.

1. Output power: **65.5KW**
2. High Working Frequency: **500kHz**
3. Maximum Tube Voltage: **40- 150KV(radiography) / 40-125kV(fluoroscopy)**
4. Maximum Tube Current:**10-800mA(radiography)/5-20mA(pulsed fluoroscopy)**

### Dynamic Flat Panel Detector with High Frame Rate



High resolution images without geometric distortion for precise clinical diagnosis.

1. The large FOV: **434\*434mm**
2. Pixels: **3072\*3072**
3. Pixel Size: **139μm**
4. Grey Scale:**16 bits**
5. **Highest acquisition speed: 30 frames/second**

### Double high density grids as standard (1m and 1.8m)



Removable grids for low dose examinations. Suitable for dose sensitive patients like children

### High thermal capacity X-ray tube (Canon brand)



High thermal capacity X-ray tube ensure long time working hours

1. Rotating anode: **9700rpm**
2. Dual Focus: **0.6/1.2mm**
3. Anode Thermal Capacity:**300kHu**

## Features:

### Automatic electric collimator

- 1- Quickly select and preset the desired FOV, saving time in positioning;
- 2- One key switches the beam range, efficient and convenient;
- 3- Automatically adjust the beam size according to different body position, more intelligent and efficient.

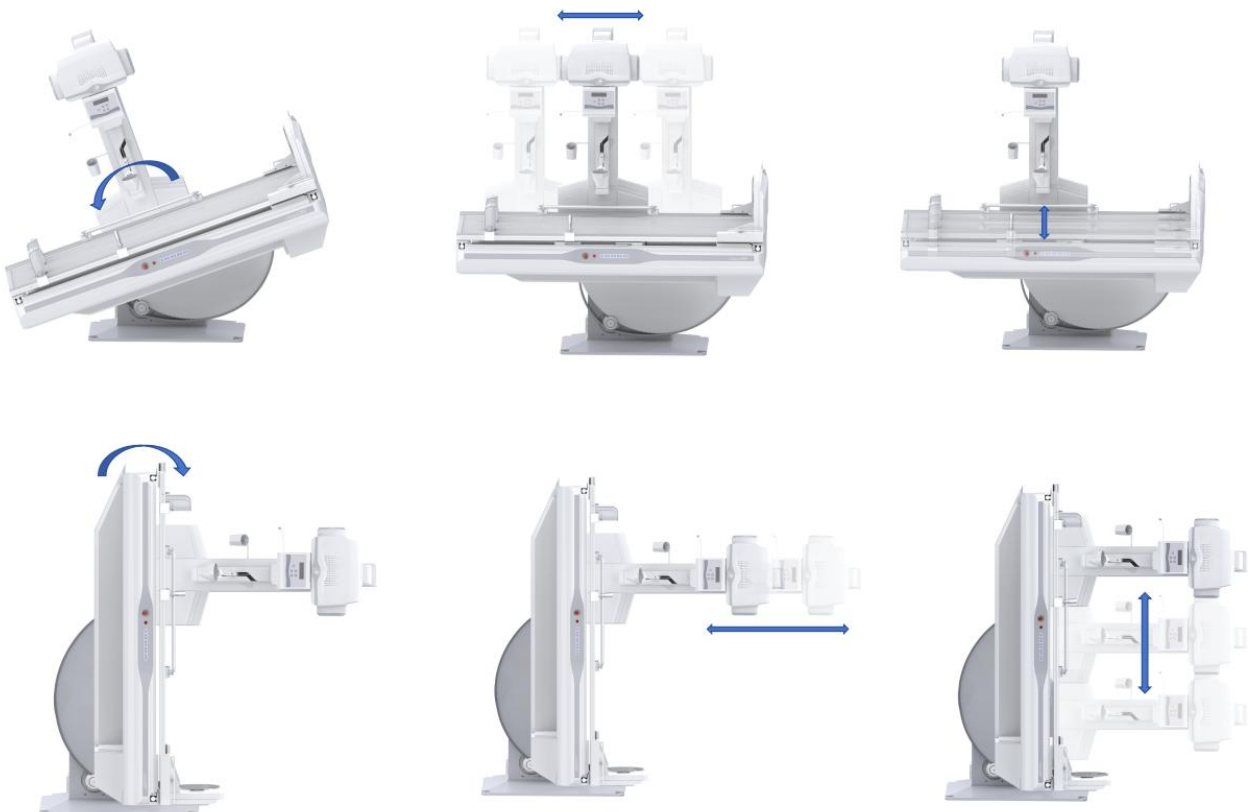


### Workstation

- 1- **One button to turn on/off** the machine, simplifying overall workflow, saving preparation time;
- 2- **Standard DICOM 3.0 interface**, supporting film printing, output, storage, barrier-free docking hospital PACS system;
- 3- Intelligent image acquisition and processing workstation, with integrating registration, radiography control, image processing and transmission, report printing and other functions;
- 4- **UPS** is available for workstation;



### Intelligent Multi-functional Mechanical Design



## Optional Functions:

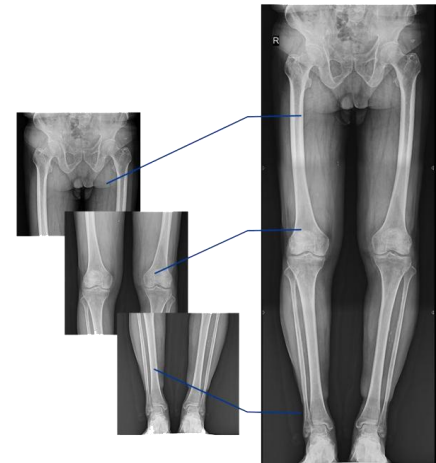
### Motorized Rotating Foot Pedal

The electrically controlled 360° rotating foot pedal can quickly complete multi-angle observation without the patient turning, and the positioning is more accurate, which greatly improves the surgeons' work efficiency.



### Automatic Stitching Function

It allows to acquire, in a completely automatic way, a sequence of images, and through a reconstruction algorithm, to generate a new stitched full image for spine/ lower limbs/ even whole body. It can be formulated and transferred in DICOM format, and also to be exported to PACS.



### Mobile Console Trolley

- 1- Length: 512mm; Width:659mm; Height:1360--1580mm(Adjustable)
- 2- Movement Control
- 3- Exposure Control
- 4- 24" monitor



## Optional Functions:

### DAP

- 1- The first industrial manufacturer to adopt DAP monitoring system with deep technical accumulation.
- 2- Record the single examination dose and manage the radiation absorption of patients.
- 3- An important functional index to export to European and American countries.



### AEC

- 1- Intelligent control of exposure time, more efficient
- 2- Intelligent control of light sensitivity according to different parts
- 3- Reduce the operation difficulty and shorten the workflow



## Technical Specification:

### Technical Parameters

<b>Electricity Condition</b>	Voltage	380V±38V
	Frequency	50Hz±1Hz
	Capacity	105kVA
	Resistance	≤0.17Ω
<b>Generator</b>	Power	<b>65.5kW</b>
	Inverter Frequency	500kHz
	Tube Voltage(Radiography)	40kV - 150kV
	Tube Current(Radiography)	10mA - 800mA
	Exposure time	1ms - 10000ms
	mAs	0.1 - 1000mAs
	Tube Voltage(Fluoroscopy)	40kV - 125kV
	Tube Current(Continuous Fluoroscopy)	0.5mA - 10mA
	Tube Current(Pulsed Fluoroscopy)	5mA - 20mA
<b>X ray tube</b>	Model:	<b>Canon E7252FX</b>
	Tube Focus:big/small	1.2mm / 0.6mm
	Input power	Big focus 75kW, Small focus 27kW
	Target Angle	12°
	Anode thermal capacity	300kHU
	Anode Heat dissipation:	475W
	Tube Capacity:	1250kHU
	Rotary anode speed:	9700 rpm
	Work voltage:	40-150kV
<b>Collimator</b>	Inherent Filtration	≥1mmAL
	Lighting time	5-45s
	Illumination brightness	≥100Lux
	Inherent Filtration	≥1mmAL
<b>Dynamic Flat Penal Detector</b>	Materials	A-Si(Amorphous Silicon)- CsI
	Active area	434(H) × 434(V)mm
	Pixel matrix	3072(H) × 3072(V)
	Pixel pitch	139μm
	A/D	16bit
	Spatial Resolution	3.7lp/mm
<b>Grids</b>	10:1; 230L/INCH; Removable Filter 498.5mm*449mm; SID 1m 10:1; 103L/INCH; Removable Filter 498.5mm*449mm; SID 1.8m	
<b>Titling Table</b>	Height of tabletop:	910mm
	Table Tilting range:	-25°/+90°
	Tube column Longitudinal movement along table:	1000mm
	Transverse distance:	220mm
	Maximum load capacity of the table:	200 kg
<b>Digital Workstation</b>	SID adjustment range:	1000--1800mm
	Functions	Case registration, Image Acquisition, Image Processing, Dicom 3.0 protocol
	Monitor	24 inch LCD
	Resolution	1920*1200
	Storage	8G RAM + 1TB HD